



Datenblatt - Fiche technique - Data sheet

**14.01.3441**



ROLINE Audio Konverter Digital nach Analog

ROLINE Convertisseur Audio numérique vers analogue

ROLINE Audio Converter Digital to Analogue

Item no.: 14.01.3441

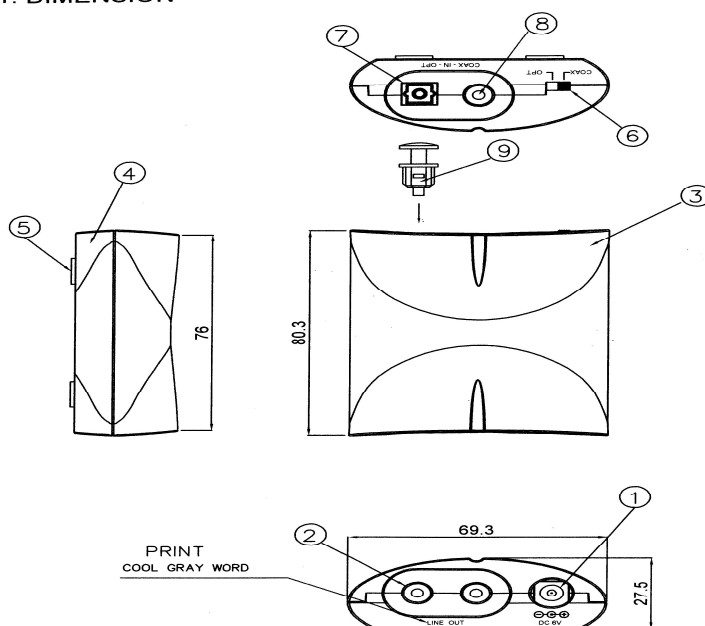
## ROLINE Audio Converter - Digital to Analogue, black color



### Features:

- Bridge legacy sound system with digital sources
- Support up to 24bit / 192kHz via toslink optical and SPDIF coaxial interface
- Listen to high-definition audio in the full resolution
- Supply: DC 6V/250mA
- Weight:58 grams
- Dimension: 80.3x69.3x27.5mm

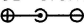
### 1. DIMENSION



## 2. PART LISTS

NO	DESCRIPTION	MATERIAL	COLOR.FINISHED	REMARK
1	DC POWER JACK	PBT	BLACK	CENTER PIN: 2.0
2	RCA JACK	PBT	WHITE-RED/GOLD PLATED	LINE OUT
3	TOP CASE	ABS	BLACK	
4	BOTTOM	ABS	BLACK	
5	PAD	PU	BLACK	
6	SWITCH	ABS	BLACK / NICKEL PLATED	
7	TOSLINK JACK	PBT	BLACK	RECEIVER
8	RCA JACK	PBT	BLACK / GOLD PLATED	COAXIAL
9	PROTECTIVE CAP	ABS	BLACK	

### POWER ADAPTER (U.S)

TIP STYLE : STRAIGHT  
 TIP SIZE : OD 5.5mm ID2.1mm  
 POLARITY :   
 OUTPUT(V): DC 6V 250mA  
 INPUT(V) : AC 100 ~240V 50~60Hz  
 LENGTH : 24 AWG 6FT

## 3. CHARACTERISTICS

### STANDARD ATMOSPHERIC CONDITIONS

UNLESS OTHERWISE SPECIFIED, THE STANDARD RANGE OF ATMOSPHERIC CONDITIONS FOR MAKING MEASUREMENTS AND TESTS ARE AS FOLLOWS:

AMBIENT TEMPERATURE : 5°C TO 35°C  
 RELATIVE HUMIDITY : 45% TO 85%  
 AIR PRESSURE : 86KPa TO 106KPa

IF THERE IS ANY DOUBT ABOUT THE RESULTS. MEASUREMENTS SHALL BE MADE WITHIN THE FOLLOWING LIMITS:

AMBIENT TEMPERATURE : 20±2°C  
 RELATIVE HUMIDITY : 60% TO 70%  
 AIR PRESSURE : 86KPa TO 106KPa